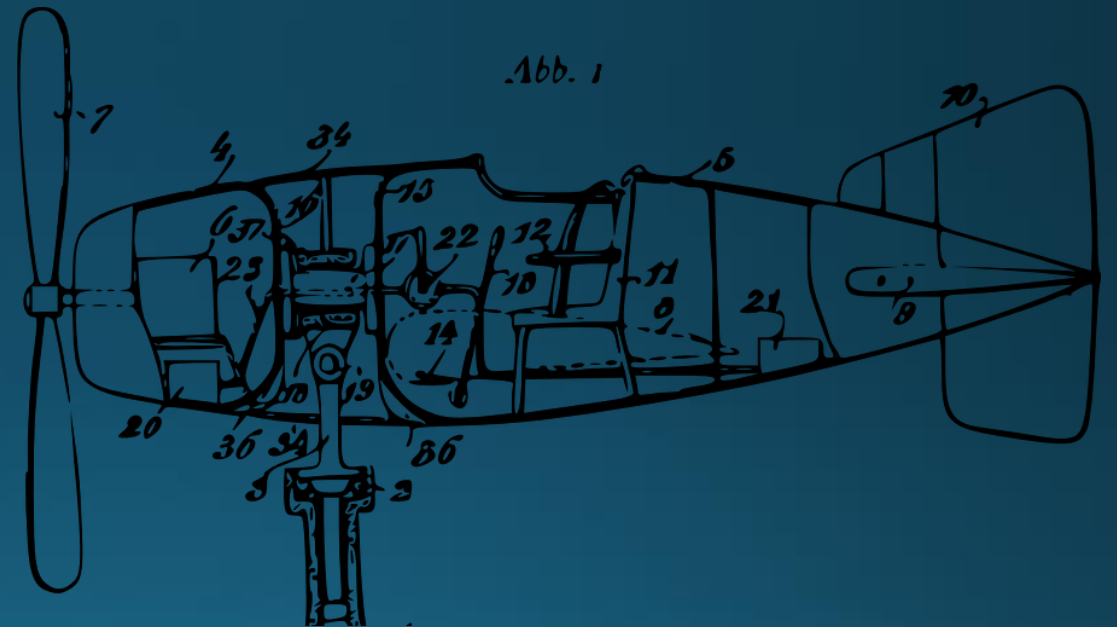


HIV PLANNING UPDATE

October 29th, 2020

- Texas HIV Planners' Network
- Texas HIV Syndicate
- Federal Ending the HIV Epidemic Planning
- DSHS HIV Program Policy 241.001
- Planning products and due dates




Tx HIV Syndicate

November 17th, 2020

1:00 – 3:30 PM



2021 UPDATING & ALIGNING HIV PLANS



Ending the HIV Epidemic

Federal efforts focus on 57 high morbidity jurisdictions across the United States and territories

In Texas, the five jurisdictions are:

Dallas

Fort Worth

Austin

San Antonio

Houston (directly funded)

Ending
the
HIV
Epidemic

PS 19-1906

- \$362,500

PS 20-2010

- \$6,069,792

Dallas \$2,124,427

San Antonio \$849,771

Austin \$637,328

Tarrant \$637,328

241.001

Administrative Agency Roles and Responsibilities

This policy establishes the roles and responsibilities required of an Administrative Agency under contract with the State to assure the development of a comprehensive plan for the delivery of HIV core medical support services and the sound implementation of that plan

Updated April 22, 2020

241.001

Administrative Agency Roles and Responsibilities

Section 5.4 Planning

- Clarified language including consultation with community stakeholders
- Condensed and updated language regarding comprehensive planning
- Condensed and updated language regarding priority and allocation setting and reallocation processes

Priorities, Allocations, and Reallocations

The DSHS HIV Program's expectation is these are based on the input or people living with HIV in each HSDA and other stakeholders

Public Input Plan

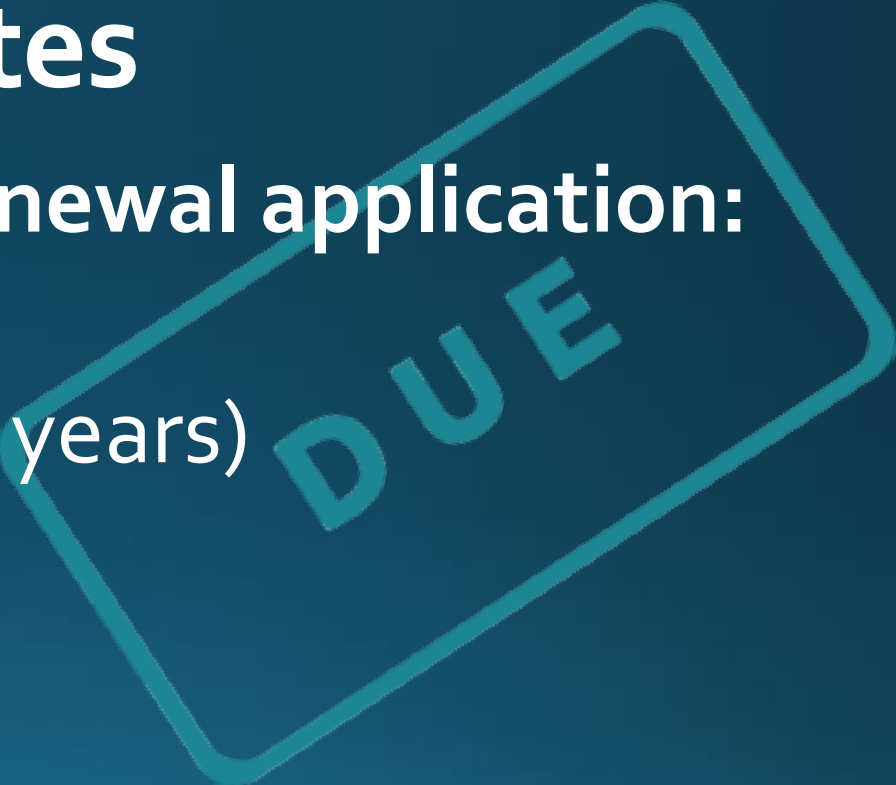
Needs Assessment Information

Administrative Agency Planners must be included in processes and decisions regarding service priorities, allocations, and reallocations

Planning Product Due Dates

Due in December as part of the renewal application:

- Public Input Plans
- Needs Assessments (min every 3 years)
- Comprehensive Plan Updates
- Priorities and Allocations



DUE